

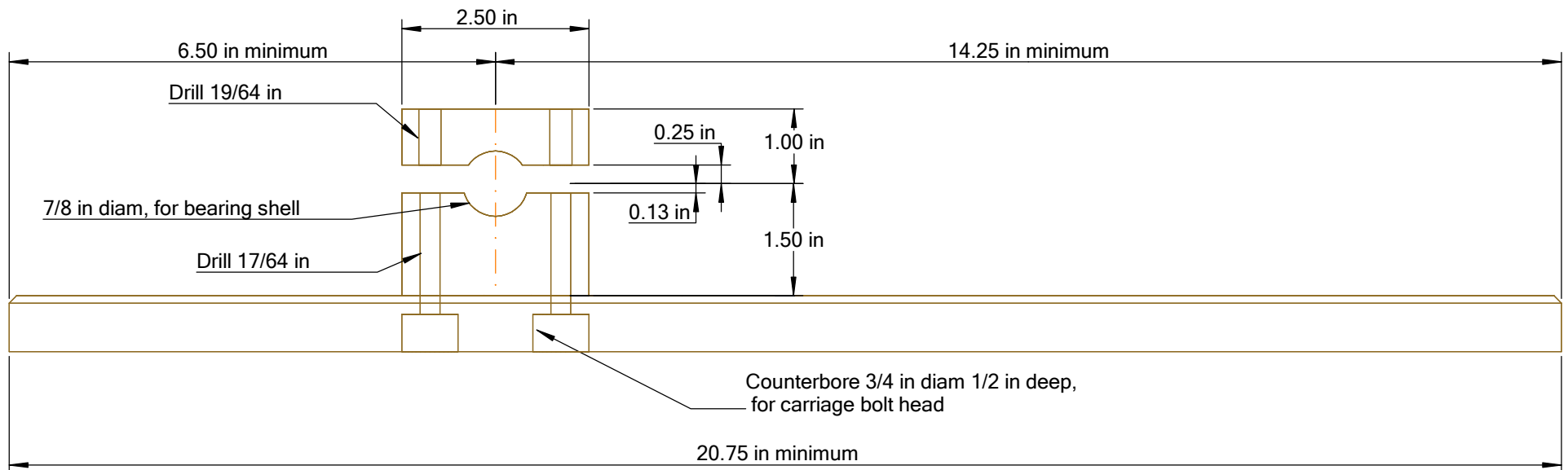
Digital Swingweight Scale - Base

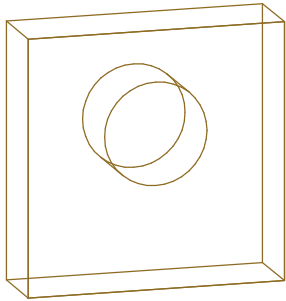
DaveT 2/27/2015

3D rendering

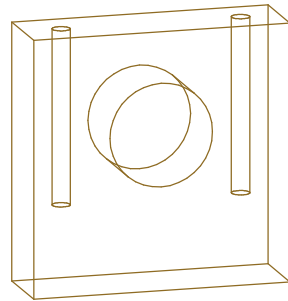
This base is a suggestion only. If you made the arm properly, per the dimensions and instructions, then the instrument should work properly. The exact dimensions of the base are not critical, nor are the materials and details of design. It is simply someplace for the arm to rest and function.

This base is made of 1-by-6 hardwood. Other bases of other materials and very different designs can also work.

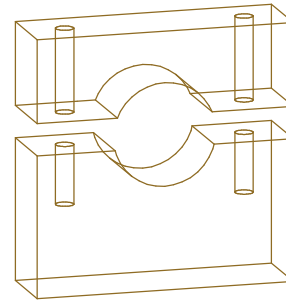




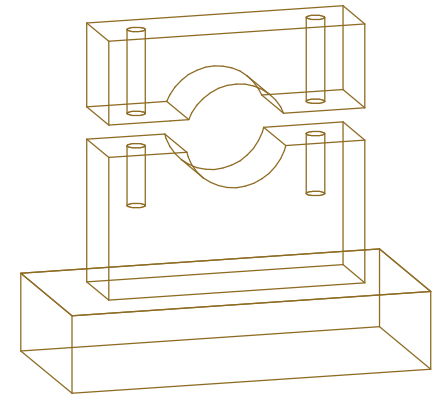
Drill hole
for bearing



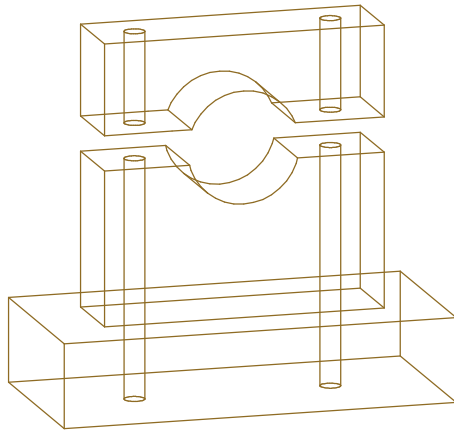
Start pilot holes



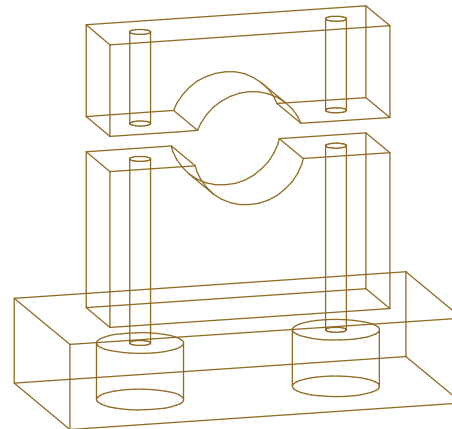
Slice cap off
pedestal



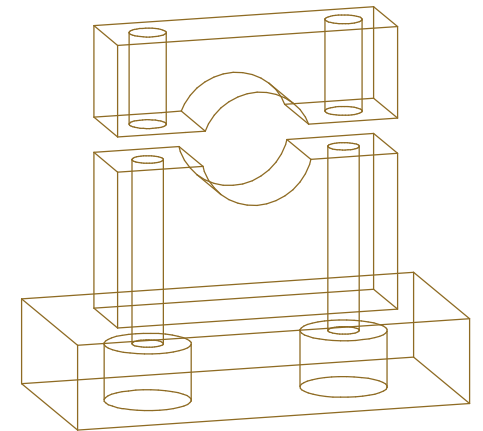
Glue to base



Finish pilot holes



Counterbore bottom for
carriage bolt



Enlarge pilot holes to
be bolt holes